

Condidea F-DV Mike

Confidea Flushmount Delegate Voting Unit



Description

The Confidea F-DV is Televic's delegate panel for basic discussion systems, with an integrated speaker and electronic voting.

Its small form factor, housed in an elegant casing, permits a minimalistic integration into any meeting room furniture. The integrated speaker creates a distributed sound field in the meeting room, increasing intelligibility without the need for an additional room sound system.

The panel has a microphone connector to fit the new push-and-lock Mike microphone that reduces setup time. A 3.5 mm jack socket is available to connect headphones or a hearing loop for the hearing impaired.

The voting systems includes 5 voting buttons and an RFID card reader for identification and authentication. The chairperson version of this panel has additional controls (see Confidea F-CV Mike 71.98.0542).

Benefits

The Confidea F-DV Mike is a sleek and discreet solution that is perfectly suited to conference rooms without an existing sound system. The ability to connect headphones provides accessibility for the hearing impaired. The range of 5 voting buttons allows for easy and detailed voting options.

The unit is available in a variety of custom colors, sizes and finishes to blend in neatly in any environment. The Confidea F-DV Mike is backed by the Plixus® network and redundant cabling to ensure maximum reliability. Finally, its shielded microphone is immune to mobile phone interference.

Features

- » Basic discussion function
- » Electronic voting function
- » Tactile microphone push button with integrated LED
- » 5 clear voting buttons with LED indicators: ++/+/0/-/--
- » RFID card reader
- » Integrated loudspeaker
- » Rounded corners for easy installation
- » Trademark natural Televic Sound
- » Available in custom colors, sizes, finishes

Connectivity

- » Push & Lock socket to connect a removable microphone:
 - Mike LPM 71.98.0091
 - Mike PLM301F 71.98.0093
 - Mike PLM401F 71.98.0094
 - Mike PLM502F 71.98.0095
 - Mike PLM602F 71.98.0096
 - Mike PLM402F 71.98.0098
- » Two RJ 45 connectors for loop through cabling
- » 3.5 mm stereo jack socket for headphones
- » Plixus-powered

Software

To fully configure, manage, and use the unit, Televic's CoCon management software is required. The following standard licenses are available:

» CoCon Discussion	71.98.1101
» CoCon Signage	71.98.1102
» CoCon Voting	71.98.1104
» CoCon Authentication	71.98.1105

Certification

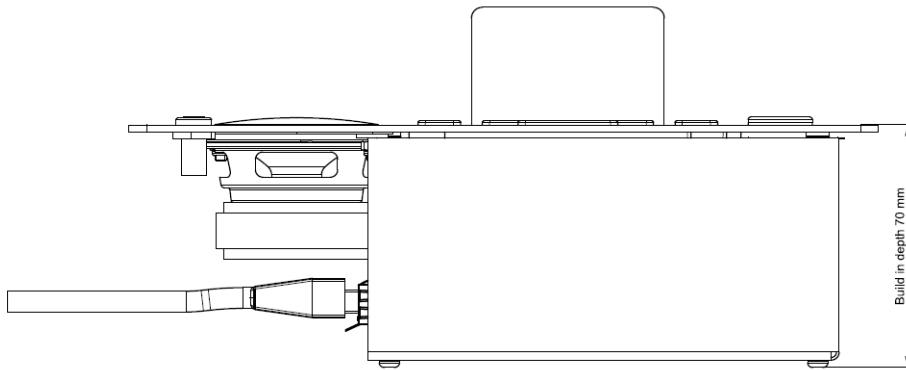
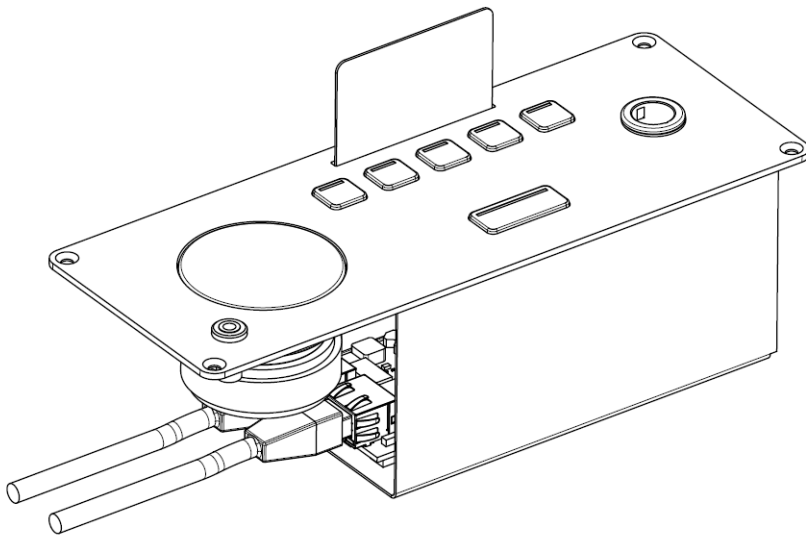
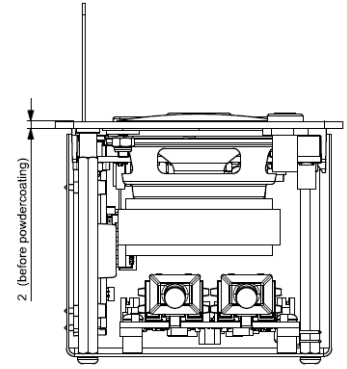
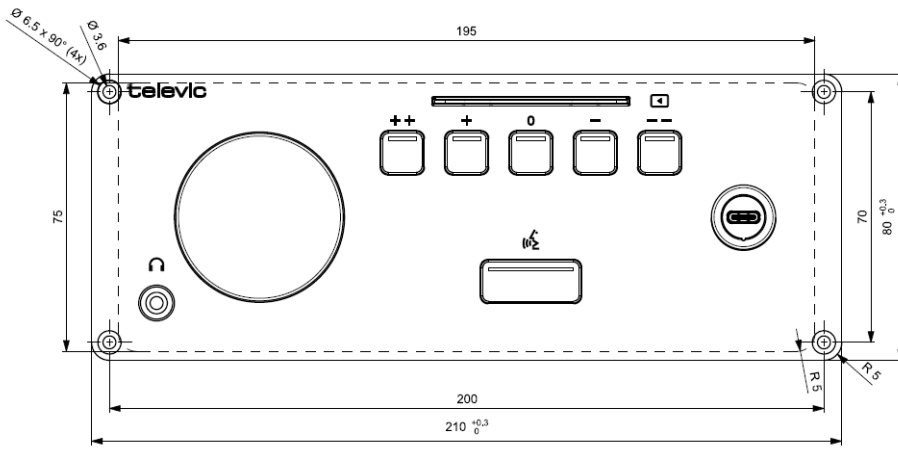
Region	Certification
Europe	CE

Specifications

Mechanical	
Material	Steel
Color	Tiger coating Carbon 01
Size (mm)	210 (w) × 80 (h) × 70 (d)
Size packed (mm)	250 (w) × 120 (h) × 85 (d)
Weight	740 g
Weight packed	860 g

Electrical	
Voltage	48 VDC
Current consumption	4 W
Card reader	ISO 14443 MIFARE Card Reader DESfire EV1 support
Speaker Output	
Maximum output power	> 1 W
Frequency response	200-20,000 Hz
Dynamic range	> 90 dB
THD @ nominal level	< 0.1%
Load impedance	8 Ω
Headphone Output	
Maximum output	> 10 mW
Frequency response	22-22,000 Hz
Dynamic range	> 90 dB
THD @ nominal level	< 0.1%
Load impedance	16-32 Ω
Microphone Input	
Dynamic range	> 90 dB
Frequency response	20-20,000 Hz
THD @ nominal level	0.1%

Technical Drawings



HQ Belgium

+32 51 30 30 45

conference@televic.com

<https://www.televic.com/en/conference>

Asia

+86 21 61 48 01 23

conference@televic.com

www.televic-conference.com.cn

France

+33 3 74 09 52 76

conference-france@televic.com

www.televic-conference.fr

United States

+1 916 920 0901

conference-us@televic.com

All information copyright Televic Conference, 2024.

Televic reserves the right to change this document without notice.

Version 1.0

