



## ADP UHF (470 - 1075 MHz)

### Passive directional UHF antenna



Passive directional antenna for use with Evolution Wireless Digital systems.

The ADP UHF passive directional antenna is the perfect addition for enhancing the wireless performance of your Evolution Wireless Digital system. The  $\frac{3}{8}$ " and  $\frac{5}{8}$ " threads make it easy to mount on any mic stand. The ADP UHF can be connected to the EW-D EM receiver, the EW-D AB antenna booster or EW-D ASA antenna splitter.

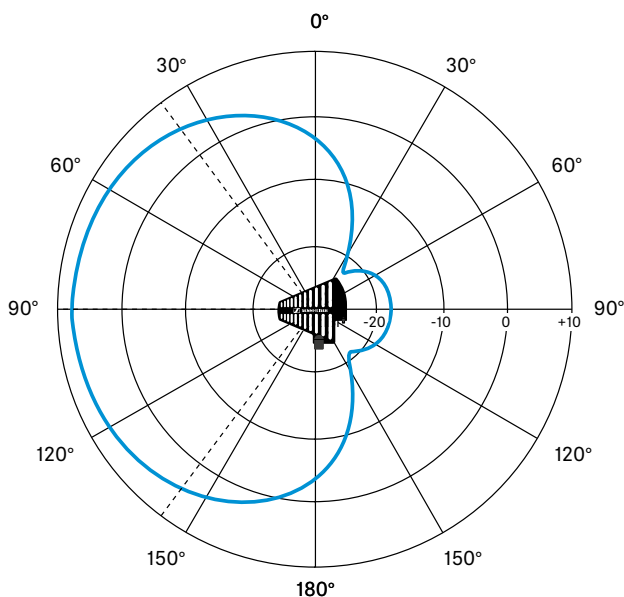
#### FEATURES

- UHF transmission greatly enhances range, reliability and scalability
- Built-in  $\frac{3}{8}$ " and  $\frac{5}{8}$ " threads allow for easy mic stand mounting

#### ARTICLE INFORMATION

**ADP UHF (470 - 1075 MHz)** Art. no. 508863

#### POLAR PATTERN



#### SPECIFICATIONS

Frequency range	470 - 1075 MHz
Apex angle (-3 dB)	approx. 100°
Front-to-back ratio	> 14 dB
Gain	typ. 5 dBi
Impedance	50 Ω
Connection	BNC female, no DC path
Threads for tripod mounting	$\frac{3}{8}$ " and $\frac{5}{8}$ "
Dimensions	319 x 310 mm
Weight	Approx. 1100 g (2.43 lbs)
Operating temperature range	-10 °C - +55 °C (14 °F - 131 °F)
Storage temperature range	-20 °C - +85 °C (-4 °F - 185 °F)
Relative humidity	max. 95 % (non-condensing)

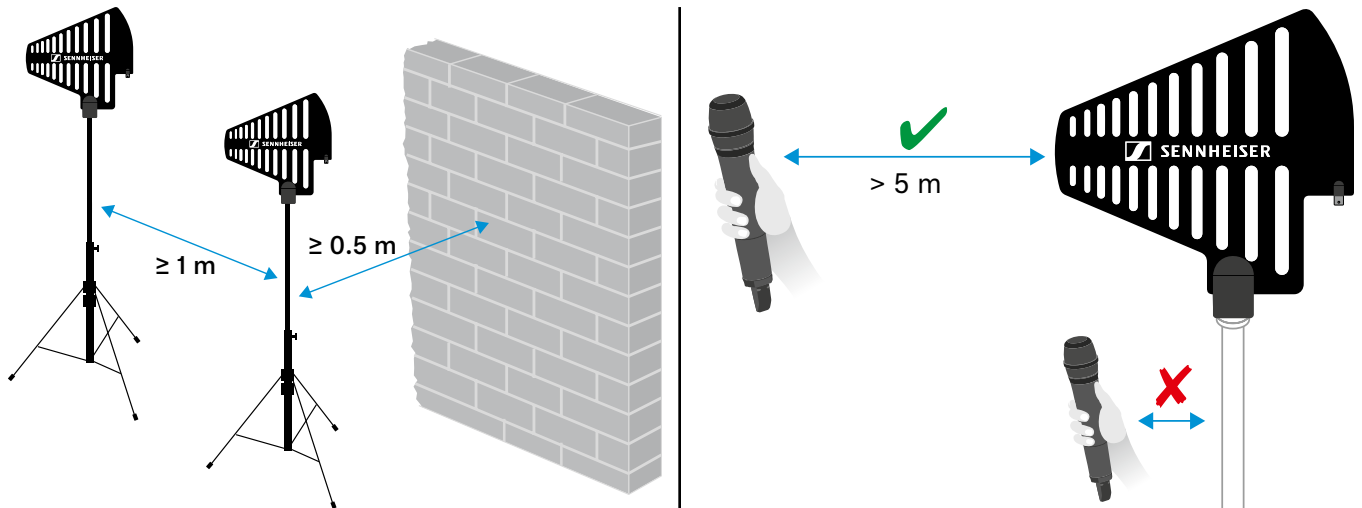
#### ACCESSORIES

<b>EW-D AB (Q)</b>	Antenna Booster	470 - 550 MHz	Art. no. 508873
<b>EW-D AB (R)</b>	Antenna Booster	520 - 608 MHz	Art. no. 508874
<b>EW-D AB (S)</b>	Antenna Booster	606 - 694 MHz	Art. no. 508875
<b>EW-D AB (U)</b>	Antenna Booster	823 - 865 MHz	Art. no. 508876
<b>EW-D AB (V)</b>	Antenna Booster	902 - 960 MHz	Art. no. 508877
<b>EW-D ASA (Q-R-S)</b>	Active Antenna Splitter	470 - 694 MHz	Art. no. 508879
<b>EW-D ASA (T-U-V-W)</b>	Active Antenna Splitter	694 - 1075 MHz	Art. no. 508880
<b>EW-D ASA CN/ANZ (Q-R-S)</b>	Active Antenna Splitter	470 - 694 MHz	Art. no. 508998



# ADP UHF (470 - 1075 MHz) Passive directional UHF antenna

## POSITIONING



## DIMENSIONS

