

# Unite CR-12P

## Cockpit Rack



Unite CR-12P version – Front view



Unite CR-12P version – Rear view

### Description

The Cockpit Rack is a multifunctional device for charging the batteries integrated in the Unite transmitters and receivers, and to store and transmit the pairing information (group ID and channel name) from transmitter to receiver. For optimum security against unauthorised listening, a key is generated in the Unite CR, which is transmitted to the transmitter and receiver during the pairing process.

The Cockpit Rack can be integrated into a network via the Ethernet connection. When using the Unite Manager software, the Cockpit Rack can be remotely monitored. Firmware updates and configurations are also possible.

The Cockpit Rack is suitable for installation in a 19" flight case for mobile applications or in a 19" charging cabinet.

The Cockpit Rack can also be used for the storage of charged transmitters and receivers.

The Unite CR-12P version provides a maximum of 12 charging compartments. The charging status of the batteries is indicated by a status display on the respective transmitter or receiver.

### Features

- » 19" charger for rack mounting
- » Button for pairing procedure
- » Status display for pairing status
- » Switch for "Pairing & Charge" or "Charge"
- » Reset button
- » Ethernet connection for:
  - Firmware update
  - Pairing process
  - Operation and monitoring
- » USB port for:
  - Pairing process
  - Charging
- » Integrated power supply with switchable and IEC mains connection with fuse

### Version

#### Unite CR-12P - Ref. 71.98.4042

- » Cockpit Rack charger with max. 12 charging compartments for bodypack receivers / transmitters, network connection, integrated power supply

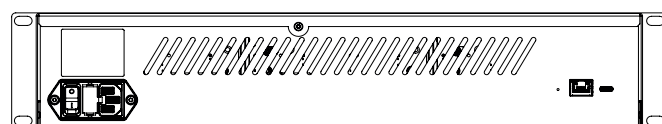
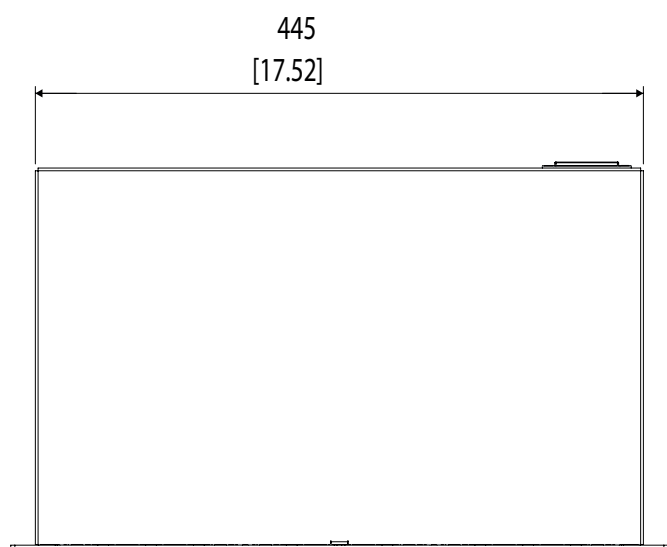
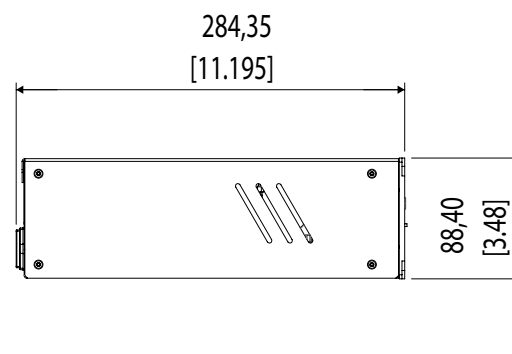
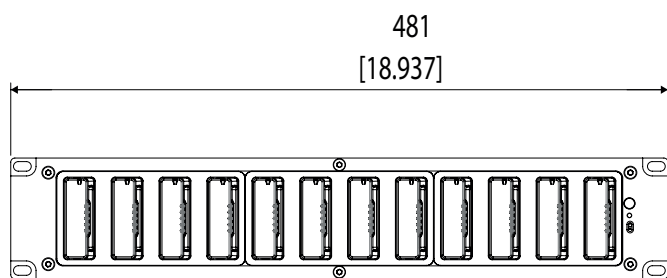
### Supplied Accessories

- » Power cable with CEE 7/7 mains plug and C13 device plug

### Specifications

AC input	85 - 264 V, 47-63 Hz
Fuse	2 x 3.15 A (time-lag)
Nominal current	2 A @115 V AC, 1 A @230 V
Power consumption	75 W with 12 charging compartments
Max. charging time	4 hours
Connections	Ethernet USB Type C
Temperature range:	
• Operation	0 to +30 °C
• Storage	-20 to +50 °C
Relative air humidity	0 to 90%
Dimensions (W x H x D)	481 x 284 x 88 mm
Weight	Approx. 4 kg
Unite CR-12P charging compartments	Max. 12 for bodypack transmitters or receivers

Dimensions in mm and [inches]



Connections on the rear side

**HQ Belgium**

+32 51 30 30 45  
conference@televic.com  
<https://www.televic.com/en/conference>

**Asia**

+86 21 61 48 01 23  
conference@televic.com  
[www.televic-conference.com.cn](http://www.televic-conference.com.cn)

**France**

+33 3 74 09 52 76  
conference-france@televic.com  
[www.televic-conference.fr](http://www.televic-conference.fr)

**United States**

+1 916 920 0901  
conference-us@televic.com

All information copyright Televic Conference, 2023.  
Televic reserves the right to change this document  
without notice.

Version 1.0