



XS Wireless IEM Bodypack Stereo Receiver



Lightweight in-ear monitoring bodypack – part of the XS Wireless IEM series. With XS Wireless IEM, you can easily link additional receivers to one transmitter – connecting more band members to a new level of detail. The lightweight bodypack remains unnoticed once clipped on your clothing or belt.

You can plug in the included IE 4 headphones or upgrade to the IE PRO series with the 3.5 mm output. The status LED shows battery and link status at a glance – while the front panel allows for individual fine-tuning, from balance to focus modes to EQ to Limiter, so you can design your individual mix.

FEATURES

- UHF bodypack receiver to expand existing XS Wireless IEM setups
- Lightweight bodypack with rear clamp and stage-proof control panel
- Standard 3.5 mm jack plug for supplied IE 4 headphones or optional in-ear sets
- Backlit front panel and status LED for battery and link status
- Menu access to receiver sound settings like focus modes, volume control, limiter, and EQ
- Pan control for individual balance of the input channels
- Operates with 2x AA primary cells or rechargeable batteries

ACCESSORIES

XSW IEM EK Belt Clip	Art. no. 592582
XSW IEM EK Battery Cover	Art. no. 592583

DELIVERY INCLUDES

- XSW IEM EK Stereo Receiver
- IE 4 In-ear headphones
- 2 AA batteries
- Quick Guide
- Safety Guide
- Compliance Sheet
- Frequency Table

PRODUCT VARIANTS

XSW IEM EK (A)	476-500 MHz	Art. no. 509156
XSW IEM EK (B)	572-596 MHz	Art. no. 509157
XSW IEM EK (C)	662-686 MHz	Art. no. 509158
XSW IEM EK (E)	823.2-831.8 MHz	Art. no. 509159
XSW IEM EK (K)	925.2-937.3 MHz	Art. no. 509160



XS Wireless IEM Bodypack Stereo Receiver

SPECIFICATIONS

XSW IEM EK - Stereo Receiver

RF characteristics	
Modulation	Wideband FM
Frequency ranges	A: 476 - 500 MHz B: 572 - 596 MHz C: 662 - 686 MHz E: 823.2 - 831.8 MHz K: 925.2 - 937.3 MHz
Switching bandwidth	up to 24 MHz
Nominal/peak deviation	± 15 kHz / ± 24 kHz
Squelch	10 μ V, fixed

AF characteristics	
Signal-to-noise ratio (1 mV, peak deviation)	≥ 88 dB
Total harmonic distortion (THD)	≤ 1 %
AF output level at 3.5 mm	2 x 1,25 V _{eff} at 16 Ω
High Boost (EQ)	+10 dB at 13 kHz
Limiter	-10 dB
AF frequency response	45 Hz to 15 kHz
Cross talk (50 Hz - 10 kHz)	typically 45 dB

Overall device	
Temperature range	0 °C to +40 °C
Power supply	2 AA batteries, 1.5 V
Nominal voltage	3 V battery
Operating time	Approx. 6 hrs (depending on volume level)
Dimensions	Approx. 95 x 70 x 26 mm
Weight (incl. batteries)	Approx. 110 g

IE 4 - In-ear headphones

Transducer	dynamic
Frequency response	40-20.000 Hz
SPL (1 kHz, 1 mW)	106 dB
Nominal impedance	6 Ω
Cable length	1.4 m
Connector	3.5 mm (1/8") stereo plug, gold-plated
Temperature	-5 °C (23 °F) to +50 °C (122 °F)

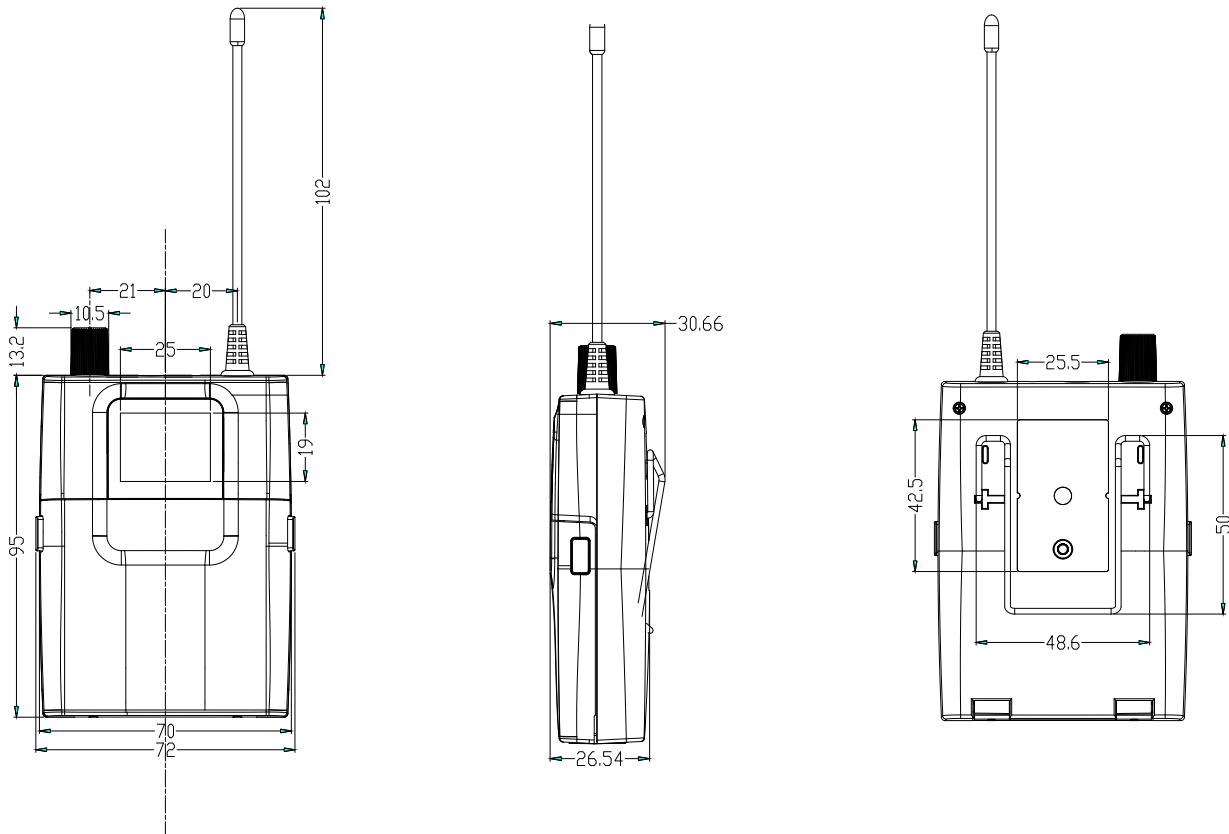




XS Wireless IEM Bodypack Stereo Receiver

DIMENSIONS

XSW IEM EK - Stereo Receiver





XS Wireless IEM Bodypack Stereo Receiver

DIMENSIONS

IE 4 - In-ear headphones

