

## TR-1800

### ROAMEO Beltpack

The RTS ROAMEO System is an integrated digital wireless communications system consisting of beltpacks (TR-1800) and access points (AP-1800) communicating over DECT (Digital Enhanced Cordless Telecommunications) wireless technology. Communication between the access points and the Matrix uses OMNEO technology, the Dante-based platform for high-quality audio over IP.

DECT is a license-free, globally-accepted standard for wireless communication.

A large continuous radio coverage area can be created easily by strategic placement of access points. Beltpack users can roam freely within the coverage area without worry of losing communication.

ROAMEO uses a standard IP infrastructure, which means no specialized wiring is required for installation.

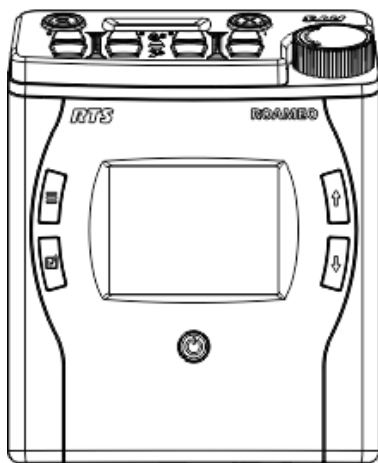
Each TR-1800 Beltpack is fully addressable, has separate Talk and Listen buttons, call waiting functionality, and is conveniently programmed using the same software as for RTS wired keypanels.



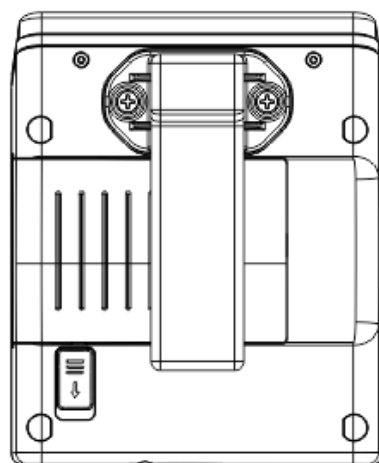
## Features

- User-selectable audio codec to allow the best (wideband) audio quality with an average number of users or good (narrowband) audio quality with double the number of users.
- Provides reliable, low latency, communications from the beltpack to the Matrix.
- Provides roaming ability between access point locations with seamless communication.
- Standard Ethernet backbone communications can be routed over existing LAN or WAN (Layer 3 routable)
- The beltpack provides a USB port for future software upgrades and the download of a custom front display startup graphic.
- Easy battery removal for bulk charging in a 4-bay battery charger or in-device charging.
- Large color screen with intuitively-designed icons for easy configuration and setup, and a smaller call waiting window located on top of the unit.
- Designed with four (4) independent talk/listen keys for full-duplex communications, CWW (call waiting window) functionality.
- Two headset options available via an XLR connector or a 3.5mm connector. The 3.5mm option can also be used for local AUX input audio.
- Dark Mode feature allows you to quickly toggle on/off all lights and displays on the beltpack. This is especially convenient for theatre and other dark venues where a lighted beltpack would stand out.

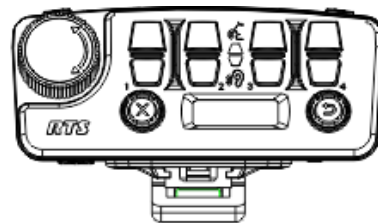
## Line Drawings



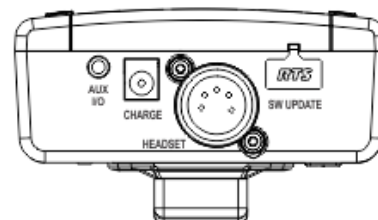
Front



Back



Top



Bottom

