



# CBT SERIES

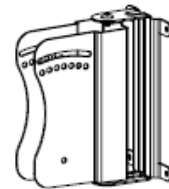
Constant Beamwidth Technology™

## CBT 70J-1 and CBT 70JE-1 Bracket Installation Guide

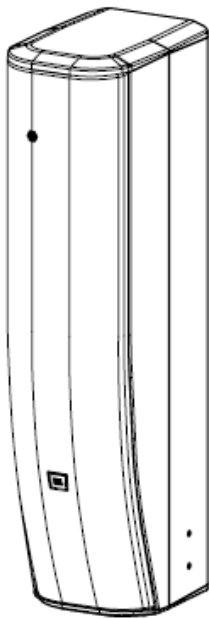
Rev B - For Swivel/Tilt Wall Bracket

### Included:

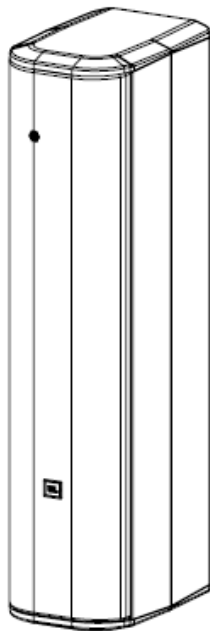
**SPEAKER BRACKET**      **SWIVEL-TILT WALL BRACKET**



- M6-60L
- M6-15L Pan head
- SS Flat washers
- M6-nuts
- SS Lock washers
- switch covers

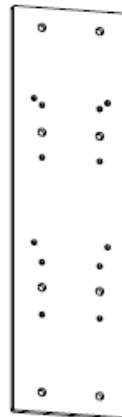


CBT 70J



CBT 70JE

### Hardware Included 70JE



- M6-20L Flat head

**COUPLER PLATE**

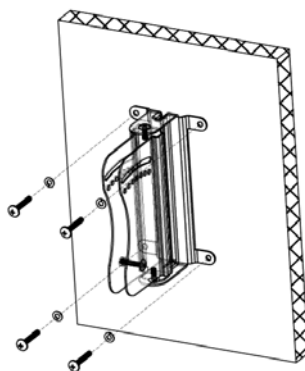
## WALL MOUNTING

Note that the BRACKET ASSEMBLY consists of a **SPEAKER BRACKET** and a **WALL BRACKET**.

- 1) **RUN WIRING** -- Run the wiring from the power amplifier to the location desired for mounting the JBL CBT Loudspeakers.
- 2) **ATTACHING WALL BRACKET TO WALL** -- Using a level to ensure that the **WALL BRACKET** is straight, secure the **WALL BRACKET** to the wall. Be sure to use the appropriate wall anchors for attaching the bracket. Use all four screw holes for maximum integrity and safety. Be sure that the slot feature is at the top.

**CAUTION: Installation must be done by qualified persons using safe rigging standards.**

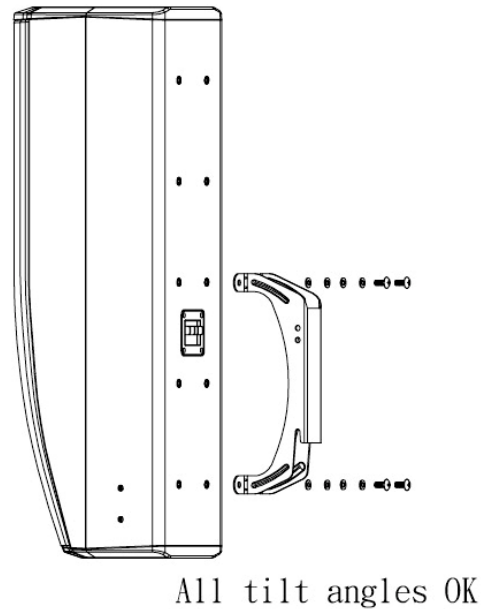
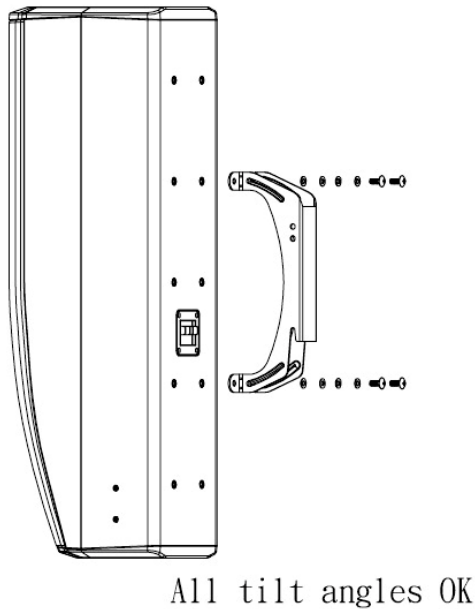
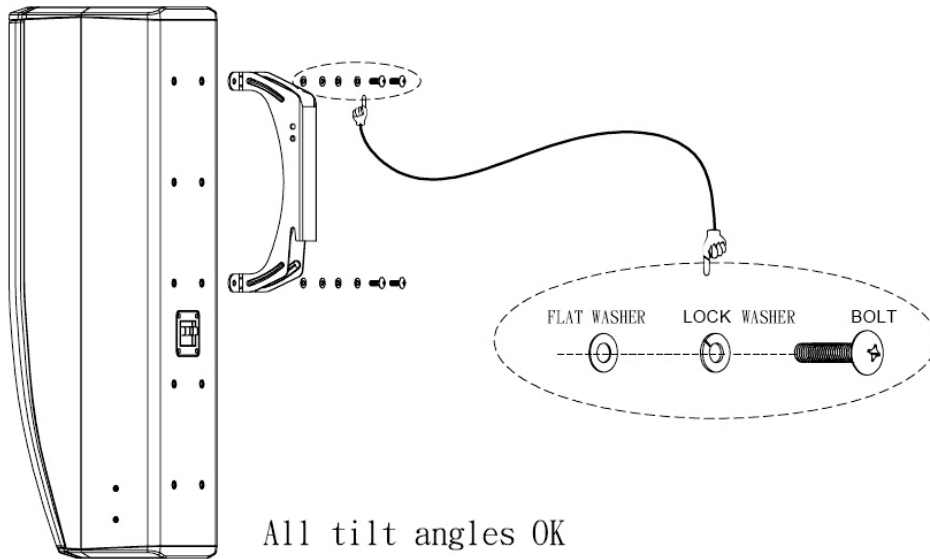
The installer is responsible for proper selection and use of mounting hardware, to properly and safely wall-mount the speakers.



Hardware for attaching **WALL BRACKET** to wall is not included.

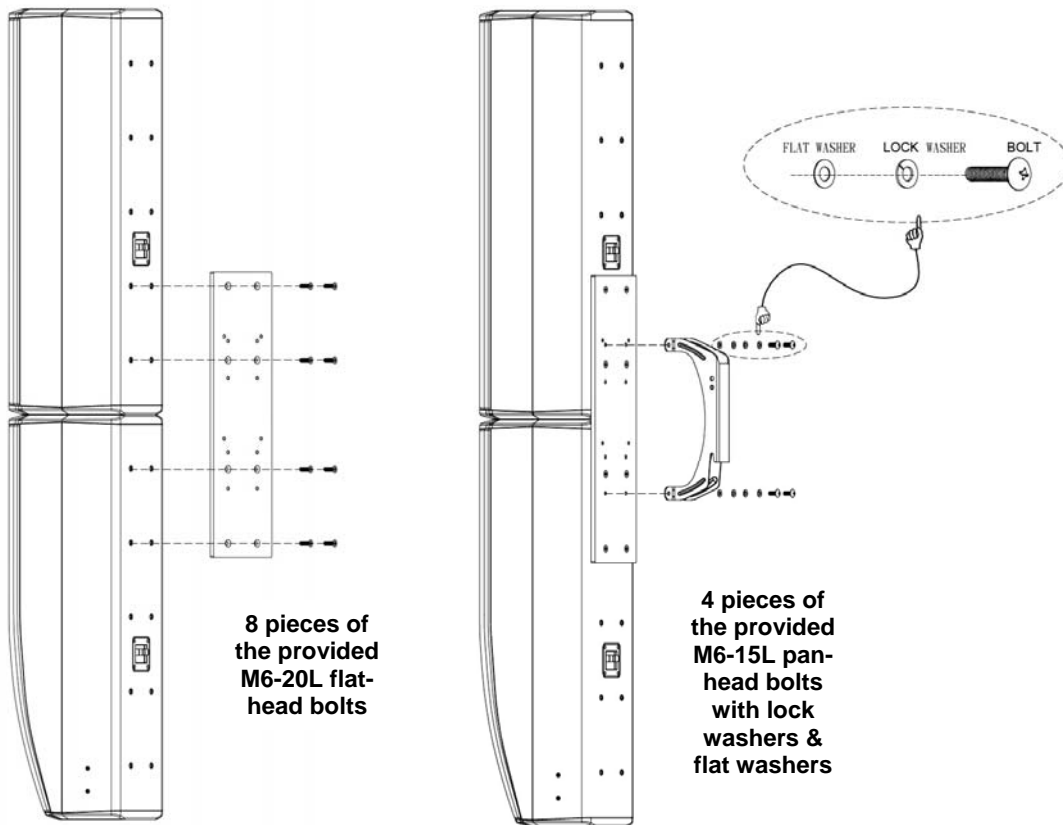
### 3) ATTACH SPEAKER BRACKET TO SPEAKER

3a) **CBT 70J-1** -- Mount the **SPEAKER BRACKET** to the speaker with the provided M6-15L hardware. For the CBT 70J-1 there are three (3) possible mounting positions. Choose the one that best suits the application. Be sure the hook feature is downward.



**3b) CBT 70J-1 + 70JE-1 Vertical Array** -- Mount the **COUPLER PLATE** (included with the CBT 70JE-1) to the CBT 70J-1 and CBT 70JE-1 speakers with the provided eight (8) pieces of M6-20L flat-head bolts. (See "CBT 70J-1 and CBT 70JE1 Coupler Plate Dimensions & Connection Point Locations" drawing, below, for exact locations).

Then attach the **SPEAKER BRACKET** to the **COUPLER PLATE** with the provided M6-15L pan-head bolts, lock washers and flat washers. Be sure the hook feature is downward.

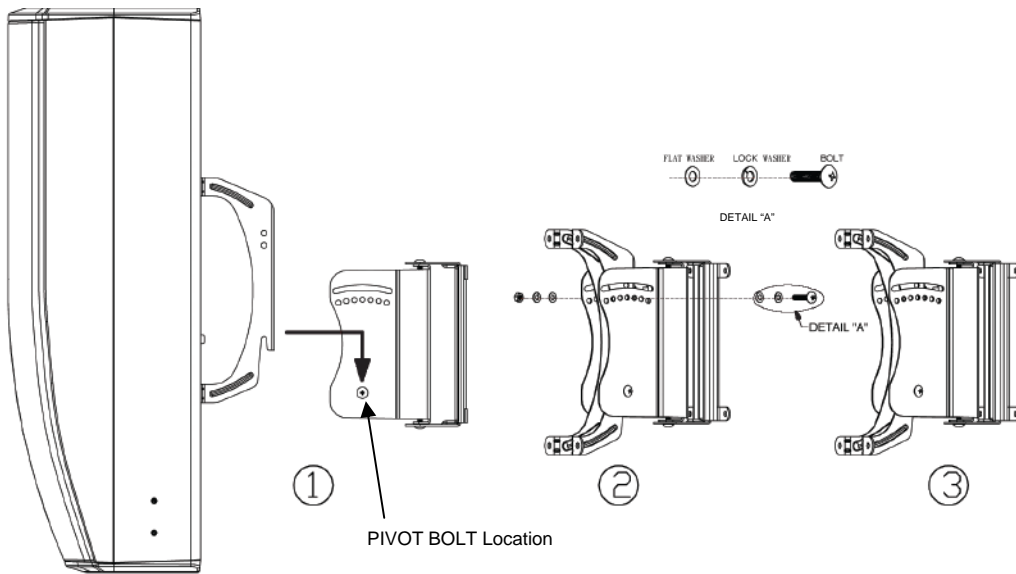


Tilt angles  $\pm 15^\circ$  OK

4) **SLIDE SPEAKER WITH SPEAKER BRACKET ONTO WALL BRACKET**

Make sure the **PIVOT BOLT** is installed in-place in the **WALL BRACKET**. It consists of the M6-60L bolt with lock washer and flat washer on the head (as shown in DETAIL "A", below) and secured in place with flat washer, lock washer and M6 nut. Leave the nut loose (do not tighten).

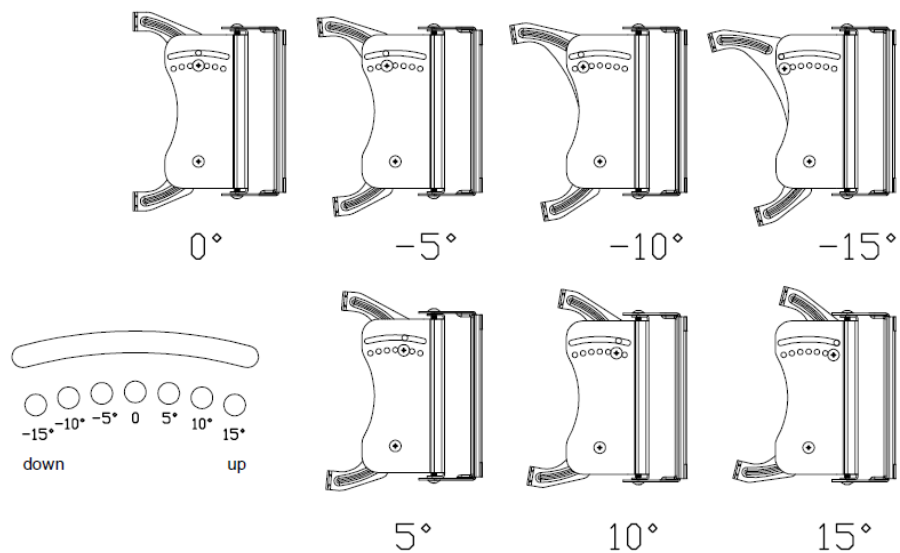
Once the wall mount has been attached to the wall and speaker mount has been attached to the speaker, slide the speaker forward so that the **SPEAKER BRACKET** engages into the **WALL BRACKET**, dropping the hook slot of the **SPEAKER BRACKET** onto the pivot bolt (which will already be installed loosely in the **WALL BRACKET**).



- 5) **SET THE TILT ANGLE** – Once the speaker has nested securely on the pivot bolt, slide the second M6-60L bolt into one of the holes in top of the wall bracket to set the angle.

**5a) TILT ANGLES** -- The bracket allows for +/-15 degrees of tilt.

**5b) PRE- SET ANGLES and CONTINUOUSLY VARIABLE ANGLE** -- The bracket has through holes for mounting angles of +/- 15 degrees in 5 degree increments. There is also a slot above the holes for continuously variable adjustment. The pre-set angles are recommended for accurate aiming.



**5c) SECURE THE ANGLE SETTING** -- Once the angle has been chosen re-tighten both bolts with hardware provided.

- 6) **SET THE SWIVEL (PAN) ANGLE** – Loosen the top and bottom bolts on the pivot. Adjust the side-to-side swivel (ie, pan) aiming angle of the speaker. Re-tighten the bolts securely at desired swivel (pan) angle.

**Maximum Swivel Angles before Wall Interference** – The bracket swivels a full 90 degrees from side-to-side, however when mounting the CBT speaker onto a wall, the side-to-side swivel may be limited by the end of the speaker encountering the wall. The maximum swivel angle depends on: a) which of the rear-panel insert points on the speaker the *SPEAKER BRACKET* is mounted onto, and b) the *down-tilt* angle setting.

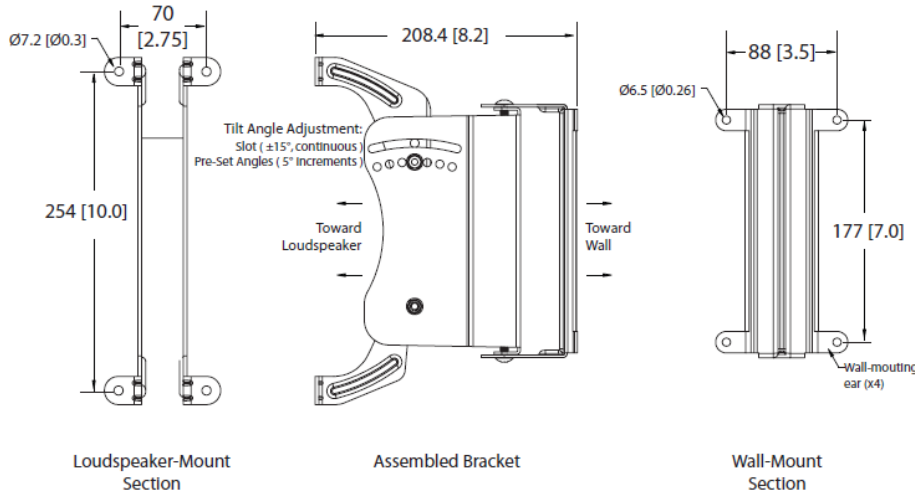
The following charts lists the typical maximum side-to-side swivel angles for some of the possible Speaker Bracket mounting point locations, and for 0°, 5°, 10°, and 15° *down-tilt* angle settings. (For the combination CBT 70J-1+70JE-1 array, the only recommended mounting point for the *SPEAKER BRACKET* is on the Coupler Plate, so that is the only mounting point shown in the chart for the array.)

Model	SPEAKER BRACKET Mounting Position on Speaker	Maximum Swivel (Pan) Angle at Down-Tilt of:			
		0° Down-Tilt	5° Down-Tilt	10° Down-Tilt	15° Down-Tilt
CBT 70J-1	Top Position	80° Swivel	77° Swivel	74° Swivel	66° Swivel
	Middle Position	80° Swivel	77° Swivel	76° Swivel	73° Swivel
	Bottom Position	80° Swivel	78° Swivel	77° Swivel	77° Swivel
CBT 70J-1 + 70JE-1 Array	On Coupler Plate (This is the only allowable bracket position for the array.)	80° Swivel	76° Swivel	69° Swivel	48° Swivel

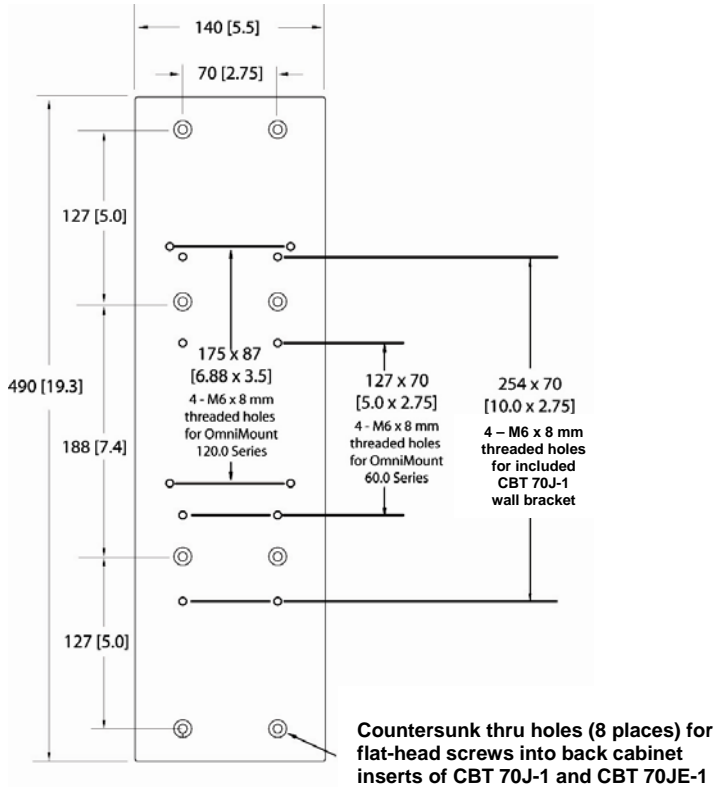
**Maximum Swivel Angles in Other Mounting Situations** – The bracket itself can swivel up to 90 degrees (side-to-side), so if the speaker is being mounted onto a pole or an outside corner, for example, where interference with a wall may not be a factor, then greater swivel angles than those stated in the above chart may be achieved.

- 7) **SAFETY CABLE** -- Attach a safety cable (not included) to any of the 6 mm inserts on the back of the CBT 70J and/or 70JE cabinet using the included M6-15L mm bolt. Prepare to attach the other end of the cable to a secondary attachment point on the wall.
- 8) **SWITCH COVERS** – To discourage tampering with the switch settings, adhesive switch covers are provided. Peel off the backing from the switch cover and stick the cover over the switch shaft, lining up the ridge with the recess in the switch shaft.

# CBT 70J-1 Bracket Dimensions



# CBT 70J-1 and CBT 70JE-1 Coupler Plate Dimensions & Connection Point Locations



**JBL Professional**  
 8500 Balboa Blvd.  
 Northridge, CA 91355  
 USA