



Control® 67P/T Full-Range Pendant Loudspeaker with RBI

Professional Series

Key Features:

- ▶ JBL's exclusive conical Radiation Boundary Integrator® (RBI) technology provides consistent and wide 120° coverage of the listening area.
- ▶ Coaxial design featuring 165 mm (6½ in) woofer and 25 mm (1 in) soft-dome tweeter.
- ▶ Hanging hardware with 4.5 m (15 foot) galvanized steel cable and easy to adjust clamp.
- ▶ Stylish design, available in black or white (-WH).
- ▶ UL listed (speaker and hanging cable system).
- ▶ 8 ohm and 70V/100V operation.

Applications:

The Control 67P/T is a high output, full-range, two-way pendant-type loudspeaker that provides superb sound reproduction and very consistent, wide coverage for rooms with open architecture ceilings and other locations where a pendant form factor is desired.

JBL's patent-pending Radiation Boundary Integrator® (RBI) technology, adapted from the groundbreaking VERTEC™ Series of line array loudspeakers, delivers consistent coverage of the listening area. Combining an extra-large 280 mm (11 in) diameter waveguide with low-frequency projection apertures, the two coaxially-mounted drivers provide a seamless integration of coverage, resulting in extremely even pattern control and coverage where all listeners hear a consistent, high-fidelity sound quality. The wide 120° coverage pattern allows for the use of fewer speakers, reducing the cost of the installed system without sacrificing performance.

Excellent sound quality coupled with stylish design and easy installation makes the Control 67P/T ideal for a wide variety of applications including retail, restaurants, hotels, casinos, fitness centers, convention centers, exhibit spaces, conference rooms, atriums, museums, transit centers and other open-ceiling applications.

The Control 67P/T includes a single-point mounting system for easy and secure suspension in open-ceiling applications. Two complete hanging cable systems are included, providing both main and safety suspension cables. Include are extra-long 4.5 m (15 foot) high tensile galvanized steel wire rope having spring clips for the loudspeaker end of the cable and UL listed cable fasteners for infinitely adjustable suspension height.

The system's 165 mm (6½ in) low-frequency driver features a polypropylene-coated cone and 25 mm (1 in) copper voice coil with vented fiberglass resin coil-former for high power handling and improved long-term reliability. The coaxially-mounted 25 mm (1 in) textile soft-dome high frequency driver features internal damping for smooth extended response, along with an aluminum voice coil former and neodymium magnet assembly with ferro-fluid cooling, for high-fidelity sound quality with enhanced long-term sound level capability.

The Control 67P/T contains a high-quality 60 Watt multi-tap transformer for use on 70V/100V distributed loudspeaker lines, and is switchable for 8-ohm voice-coil direct operation.

Euro-style clip-in connectors allow for easy wiring. For protected outdoor applications, rubber boots are included to cover the input connectors, and an optional terminal cover is available for harsher locations.



Shown with included grille removed

Specifications:

System:	
Frequency Response (-10 dB):	58 Hz – 18 kHz
Frequency Range (±3 dB):	78 Hz – 16 kHz
Power Capacity:	75 Watts Continuous Pink Noise Power (with 300 Watts peaks) 150 Watts Continuous Program Power
Nominal Sensitivity:	90 dB
Nominal Coverage Angle:	120° (+20°/-15°)
Directivity (Q):	5.7
Directivity Index (DI):	7.5 dB
Rated Maximum SPL @ 1m:	109 dB continuous pink noise, 115 dB peak
Rated Impedance:	8 ohms
Transformer Taps:	70V: 60W, 30W, 15W & 7.5W 100V: 60W, 30W, 15W
Transformer Insertion Loss:	0.5 dB @ 7.5 W, 0.5 dB @ 15 W, 0.6 dB @ 30 W, 0.7 dB @ 60 W
Transducer:	
LF Driver:	165 mm (6.5 in) polypropylene-coated paper with pure butyl rubber surround, 25 mm (1 in) copper voice coil, vented fiberglass resin voice coil-former
HF Driver:	25 mm (1.0 in) textile soft-dome, neodymium magnet assembly, ferro-fluid cooling, aluminum voice coil former
Enclosure:	
Enclosure Material:	High impact polystyrene
Grille:	Zinc-plated steel grille with powder-coat finish, foam backing (removable for painting)
Environmental:	Exceeds Mil Spec 810 for humidity, salt spray, temperature & UV. IP44 capability per IEC 529 – splashproof rating.
Termination:	Two removable locking euro-block 2-pin connectors with screw-down terminals for bare wire. Connectors paralleled for input and loop-thru. Max. wire 12 AWG (2.5 mm ²). Rubber terminal covers included.
Suspension:	Two identical suspension systems (one as main suspension cable and the other as safety cable), each consisting of 4.5 m (15 ft) long 2 mm (0.077 in) high-tensile galvanized-steel wire rope suspension cable with spring-clips for clipping onto the loudspeaker bracket and Gripple™ brand adjustable-height cable fasteners for infinitely adjustable height. Cables have SWL rating of 45 kg (99 lb).
Safety Agency Ratings:	Speaker listed per UL1480, transformer registered per UL1876. In accordance with IEC60849/EN60849. Suspension system and Gripple®-brand cable fastener listed per UL1598 and UL2239, TUV, and CSA Class 3426-01 & Class 3426-81.
Dimensions:	312 mm (12.3 in) diameter x 330 mm (13.0 in) height to top of cabinet. 350 mm (13.8 in) to top of suspension bracket.
Net Weight (ea):	5.2 kg (11.5 lbs)
Shipping Weight (pair):	12.3 kg (27 lbs)
Included Accessories:	Two suspension cable systems (see "Suspension", above), two 2-pin removable locking euro-block connectors, two rubber covers for euro-block connectors.
Optional Accessories:	MTC-PC60 top panel / terminal cover
Colors:	Available in black or white (-WH). Paintable.

¹ Full-space (suspended)

² Continuous Pink Noise rating is IEC-shaped pink noise with a 6 dB peak-to-average crest factor for 100 hours continuously. Continuous Program power is a conservative expression of the system's ability to handle normal speech and music program material and is defined as 3 dB above the Continuous Pink Noise rating.

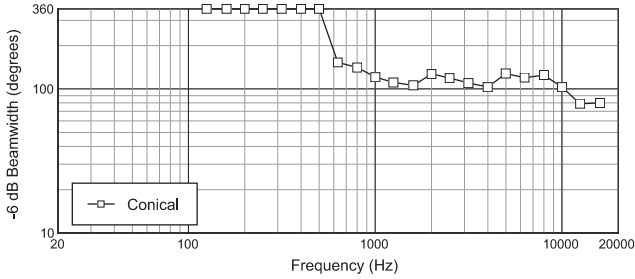
³ Full-space (suspend in free air), average 1 kHz to 10 kHz.

JBL continually engages in research related to product improvement. Changes introduced into existing products without notice are an expression of that philosophy.

▶ Control 67P/T Full-Range Pendant Loudspeaker with RBI

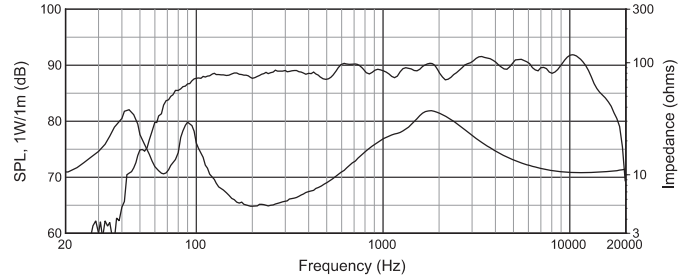
Beamwidth:

-6 dB coverage by frequency

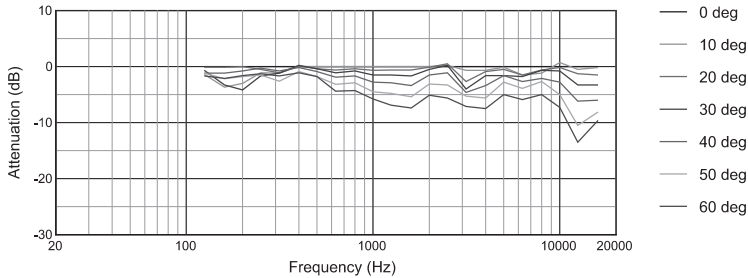


Frequency Response:

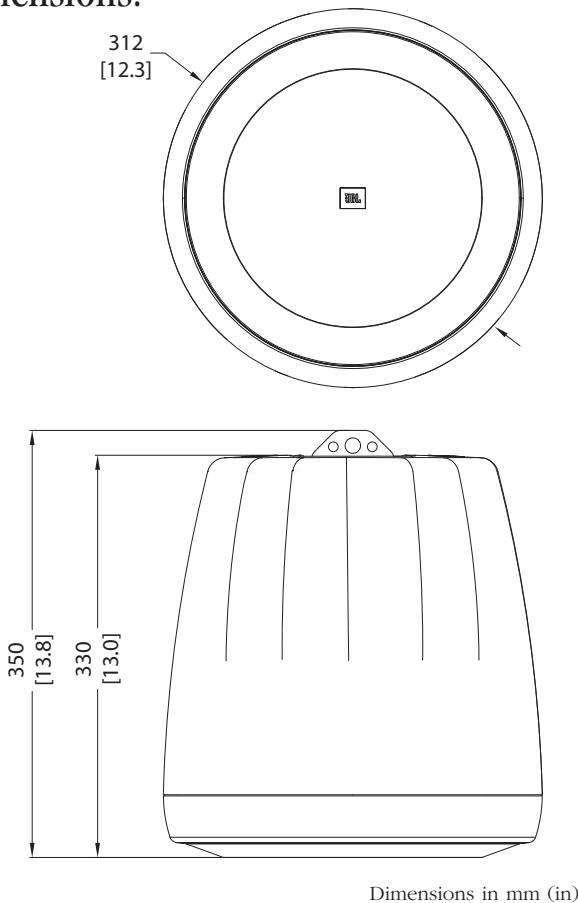
Full-space, 8 ohm, 10° off-axis (typical for coverage area)



Off-Axis Frequency Response:



Dimensions:



JBL Professional
 8500 Balboa Boulevard, P.O. Box 2200
 Northridge, California 91329 U.S.A.

© Copyright 2010 JBL Professional
www.jblpro.com

SS C67
 CRP
 08/10